

*8M x 8bit CMOS Dynamic RAM with Fast Page Mode*

**DESCRIPTION**

This is a family of 8,388,608 x 8 bit Fast Page Mode CMOS DRAMs. Fast Page Mode offers high speed random access of memory cells within the same row. Refresh cycle(4K Ref. or 8K Ref.), access time ( -50 or -60), package type (SOJ or TSOP-II) are optional features of this family. All of this family have  $\overline{\text{CAS}}$ -before- $\overline{\text{RAS}}$  refresh,  $\overline{\text{RAS}}$ -only refresh and Hidden refresh capabilities. This 8Mx8 Fast Page Mode DRAM family is fabricated using Samsung's advanced CMOS process to realize high band-width, low power consumption and high reliability.

**FEATURES**

• **Part Identification**

- K4F660811C-JC(5.0V, 8K Ref., SOJ)
- K4F640811C-JC(5.0V, 4K Ref., SOJ)
- K4F660811C-TC(5.0V, 8K Ref., TSOP)
- K4F640811C-TC(5.0V, 4K Ref., TSOP)

• **Active Power Dissipation**

Unit : mW

Speed	8K	4K
-50	495	660
-60	440	605

• **Refresh Cycles**

Part NO.	Refresh cycle	Refresh time
		Normal
K4F660811C*	8K	64ms
K4F640811C	4K	

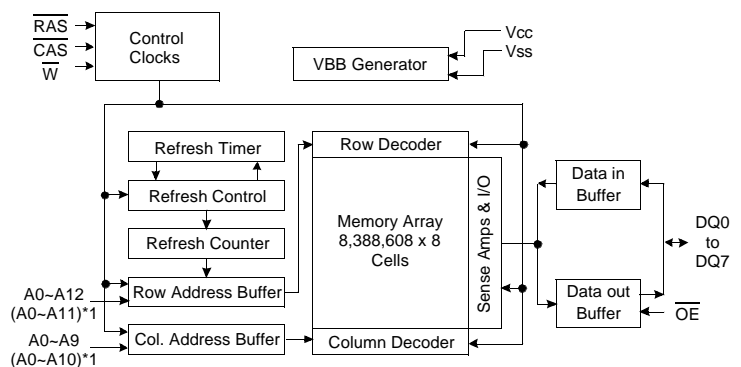
\* Access mode &  $\overline{\text{RAS}}$  only refresh mode : 8K cycle/64ms  
 CAS-before- $\overline{\text{RAS}}$  & Hidden refresh mode : 4K cycle/64ms

• **Performance Range**

Speed	t <sub>TRAC</sub>	t <sub>CAC</sub>	t <sub>TRC</sub>	t <sub>PC</sub>
-50	50ns	13ns	90ns	35ns
-60	60ns	15ns	110ns	40ns

- Fast Page Mode operation
- $\overline{\text{CAS}}$ -before- $\overline{\text{RAS}}$  refresh capability
- $\overline{\text{RAS}}$ -only and Hidden refresh capability
- Fast parallel test mode capability
- TTL(5.0V) compatible inputs and outputs
- Early Write or output enable controlled write
- JEDEC Standard pinout
- Available in Plastic SOJ and TSOP(II) packages
- +5.0V±10% power supply

**FUNCTIONAL BLOCK DIAGRAM**



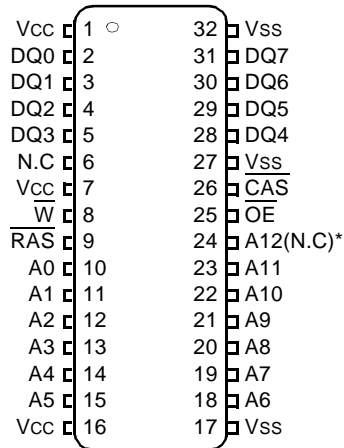
Note) \*1 : 4K Refresh

**SAMSUNG ELECTRONICS CO., LTD.** reserves the right to change products and specifications without notice.

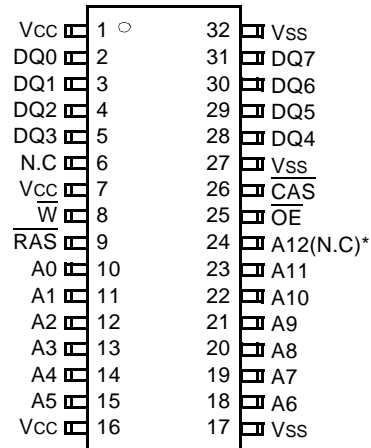
PIN CONFIGURATION (Top Views)

- K4F660811C-J
- K4F640811C-J

- K4F660811C-T
- K4F640811C-T



(J : 400mil SOJ)



(T : 400mil TSOP(II))

\* (N.C) : N.C for 4K Refresh product

Pin Name	Pin Function
A0 - A12	Address Inputs(8K Product)
A0 - A11	Address Inputs(4K Product)
DQ0 - 7	Data In/Out
Vss	Ground
RAS	Row Address Strobe
CAS	Column Address Strobe
$\overline{W}$	Read/Write Input
$\overline{OE}$	Data Output Enable
Vcc	Power(+5.0V)
N.C	No Connection

**ABSOLUTE MAXIMUM RATINGS**

Parameter	Symbol	Rating	Units
Voltage on any pin relative to Vss	V <sub>IN</sub> , V <sub>OUT</sub>	-1.0 to +7.0	V
Voltage on Vcc supply relative to Vss	V <sub>CC</sub>	-1.0 to +7.0	V
Storage Temperature	T <sub>stg</sub>	-55 to +150	°C
Power Dissipation	P <sub>D</sub>	1	W
Short Circuit Output Current	I <sub>os</sub> Address	50	mA

\* Permanent device damage may occur if "ABSOLUTE MAXIMUM RATINGS" are exceeded. Functional operation should be restricted to the conditions as detailed in the operational sections of this data sheet. Exposure to absolute maximum rating conditions for extended periods may affect device reliability.

**RECOMMENDED OPERATING CONDITIONS** (Voltage referenced to Vss, T<sub>A</sub>= 0 to 70°C)

Parameter	Symbol	Min	Typ	Max	Units
Supply Voltage	V <sub>CC</sub>	4.5	5.0	5.5	V
Ground	V <sub>SS</sub>	0	0	0	V
Input High Voltage	V <sub>IH</sub>	2.6	-	V <sub>CC</sub> +1.0 <sup>*1</sup>	V
Input Low Voltage	V <sub>IL</sub>	-1.0 <sup>*2</sup>	-	0.7	V

\*1 : V<sub>CC</sub>+2.0V at pulse width ≤ 20ns which is measured at V<sub>CC</sub>

\*2 : -2.0 at pulse width ≤ 20ns which is measured at V<sub>SS</sub>

**DC AND OPERATING CHARACTERISTICS** (Recommended operating conditions unless otherwise noted.)

Parameter	Symbol	Min	Max	Units
Input Leakage Current (Any input 0 ≤ V <sub>IN</sub> ≤ V <sub>CC</sub> +0.5V, all other pins not under test=0 Volt)	I <sub>I(L)</sub>	-5	5	uA
Output Leakage Current (Data out is disabled, 0V ≤ V <sub>OUT</sub> ≤ V <sub>CC</sub> )	I <sub>O(L)</sub>	-5	5	uA
Output High Voltage Level(I <sub>OH</sub> =-5mA)	V <sub>OH</sub>	2.4	-	V
Output Low Voltage Level(I <sub>OL</sub> =4.2mA)	V <sub>OL</sub>	-	0.4	V

## DC AND OPERATING CHARACTERISTICS (Continued)

Symbol	Power	Speed	Max		Units
			K4F660811C	K4F640811C	
I <sub>CC1</sub>	Don't care	-50	90	120	mA
		-60	80	110	mA
I <sub>CC2</sub>	Normal	Don't care	2	2	mA
I <sub>CC3</sub>	Don't care	-50	90	120	mA
		-60	80	110	mA
I <sub>CC4</sub>	Don't care	-50	60	70	mA
		-60	50	60	mA
I <sub>CC5</sub>	Normal	Don't care	1	1	mA
I <sub>CC6</sub>	Don't care	-50	120	120	mA
		-60	110	110	mA

I<sub>CC1</sub>\* : Operating Current ( $\overline{\text{RAS}}$  and  $\overline{\text{CAS}}$ , Address cycling @trc=min.)

I<sub>CC2</sub> : Standby Current ( $\overline{\text{RAS}}=\overline{\text{CAS}}=\overline{\text{W}}=V_{IH}$ )

I<sub>CC3</sub>\* :  $\overline{\text{RAS}}$ -only Refresh Current ( $\overline{\text{CAS}}=V_{IH}$ ,  $\overline{\text{RAS}}$ , Address cycling @trc=min.)

I<sub>CC4</sub>\* : Fast Page Mode Current ( $\overline{\text{RAS}}=V_{IL}$ ,  $\overline{\text{CAS}}$ , Address cycling @tPC=min.)

I<sub>CC5</sub> : Standby Current ( $\overline{\text{RAS}}=\overline{\text{CAS}}=\overline{\text{W}}=V_{CC}-0.2V$ )

I<sub>CC6</sub>\* :  $\overline{\text{CAS}}$ -Before- $\overline{\text{RAS}}$  Refresh Current ( $\overline{\text{RAS}}$  and  $\overline{\text{CAS}}$  cycling @trc=min)

\*Note : I<sub>CC1</sub>, I<sub>CC3</sub>, I<sub>CC4</sub> and I<sub>CC6</sub> are dependent on output loading and cycle rates. Specified values are obtained with the output open. I<sub>CC</sub> is specified as an average current. In I<sub>CC1</sub>, I<sub>CC3</sub> and I<sub>CC6</sub>, address can be changed maximum once while  $\overline{\text{RAS}}=V_{IL}$ . In I<sub>CC4</sub>, address can be changed maximum once within one fast page mode cycle time, tPC.

**K4F660811C, K4F640811C****CMOS DRAM****CAPACITANCE** ( $T_A=25^\circ\text{C}$ ,  $V_{CC}=5.0\text{V}$ ,  $f=1\text{MHz}$ )

Parameter	Symbol	Min	Max	Units
Input capacitance [A0 ~ A12]	CIN1	-	5	pF
Input capacitance [ $\overline{\text{RAS}}$ , $\overline{\text{CAS}}$ , $\overline{\text{W}}$ , $\overline{\text{OE}}$ ]	CIN2	-	7	pF
Output capacitance [DQ0 - DQ7]	CDQ	-	7	pF

**AC CHARACTERISTICS** ( $0^\circ\text{C} \leq T_A \leq 70^\circ\text{C}$ , See note 1,2)Test condition :  $V_{CC}=5.0\text{V} \pm 10\%$ ,  $V_{ih}/V_{il}=2.6/0.7\text{V}$ ,  $V_{oh}/V_{ol}=2.4/0.4\text{V}$ 

Parameter	Symbol	-50		-60		Units	Note
		Min	Max	Min	Max		
Random read or write cycle time	tRC	90		110		ns	
Read-modify-write cycle time	tRWC	133		153		ns	
Access time from $\overline{\text{RAS}}$	tRAC		50		60	ns	3,4,10
Access time from $\overline{\text{CAS}}$	tCAC		13		15	ns	3,4,5
Access time from column address	tAA		25		30	ns	3,10
$\overline{\text{CAS}}$ to output in Low-Z	tCLZ	0		0		ns	3
Output buffer turn-off delay	tOFF	0	13	0	13	ns	6
Transition time (rise and fall)	tT	1	50	1	50	ns	2
$\overline{\text{RAS}}$ precharge time	tRP	30		40		ns	
$\overline{\text{RAS}}$ pulse width	tRAS	50	10K	60	10K	ns	
$\overline{\text{RAS}}$ hold time	tRSH	13		15		ns	
$\overline{\text{CAS}}$ hold time	tCSH	50		60		ns	
$\overline{\text{CAS}}$ pulse width	tCAS	13	10K	15	10K	ns	
$\overline{\text{RAS}}$ to $\overline{\text{CAS}}$ delay time	tRCD	20	37	20	45	ns	4
$\overline{\text{RAS}}$ to column address delay time	tRAD	15	25	15	30	ns	10
$\overline{\text{CAS}}$ to $\overline{\text{RAS}}$ precharge time	tCRP	5		5		ns	
Row address set-up time	tASR	0		0		ns	
Row address hold time	tRAH	10		10		ns	
Column address set-up time	tASC	0		0		ns	
Column address hold time	tCAH	10		10		ns	
Column address to $\overline{\text{RAS}}$ lead time	tRAL	25		30		ns	
Read command set-up time	tRCS	0		0		ns	
Read command hold time referenced to $\overline{\text{CAS}}$	tRCH	0		0		ns	8
Read command hold time referenced to $\overline{\text{RAS}}$	tRRH	0		0		ns	8
Write command hold time	tWCH	10		10		ns	
Write command pulse width	tWP	10		10		ns	
Write command to $\overline{\text{RAS}}$ lead time	tRWL	15		15		ns	
Write command to $\overline{\text{CAS}}$ lead time	tCWL	13		15		ns	
Data set-up time	tDS	0		0		ns	9
Data hold time	tDH	10		10		ns	9

## AC CHARACTERISTICS (Continued)

Parameter	Symbol	-50		-60		Units	Note
		Min	Max	Min	Max		
Refresh period (4K, Normal)	tREF		64		64	ms	
Refresh period (8K, Normal)	tREF		64		64	ms	
Write command set-up time	tWCS	0		0		ns	7
CAS to $\overline{W}$ delay time	tCWD	36		38		ns	7
RAS to $\overline{W}$ delay time	tRWD	73		83		ns	7
Column address to $\overline{W}$ delay time	tAWD	48		53		ns	7
CAS precharge $\overline{W}$ delay time	tCPWD	53		60		ns	
CAS set-up time (CAS -before-RAS refresh)	tCSR	5		5		ns	
CAS hold time (CAS -before-RAS refresh)	tCHR	5		5		ns	
RAS to CAS precharge time	tRPC	5		5		ns	
Access time from CAS precharge	tCPA		30		35	ns	3
Fast Page mode cycle time	tPC	35		40		ns	
Fast Page mode read-modify-write cycle time	tPRWC	76		85		ns	
CAS precharge time (Fast Page cycle)	tCP	10		10		ns	
RAS pulse width (Fast Page cycle)	tRASP	50	200K	60	200K	ns	
RAS hold time from CAS precharge	tRHCP	30		35		ns	
OE access time	tOEA		13		15	ns	
OE to data delay	tOED	13		13		ns	
Output buffer turn off delay time from OE	tOEZ	0	13	0	13	ns	6
OE command hold time	tOEH	13		15		ns	
Write command set-up time (Test mode in)	tWTS	10		10		ns	11
Write command hold time (Test mode in)	tWTH	15		15		ns	11
$\overline{W}$ to RAS precharge time ( $\overline{C}$ -B- $\overline{R}$ refresh)	tWRP	10		10		ns	
$\overline{W}$ to RAS hold time ( $\overline{C}$ -B- $\overline{R}$ refresh)	tWRH	10		10		ns	
RAS pulse width ( $\overline{C}$ -B- $\overline{R}$ self refresh)	tRASS	100		100		us	13,14,15
RAS precharge time ( $\overline{C}$ -B- $\overline{R}$ self refresh)	tRPS	90		110		ns	13,14,15
CAS hold time ( $\overline{C}$ -B- $\overline{R}$ self refresh)	tCHS	-50		-50		ns	13,14,15

## TEST MODE CYCLE

( Note 11 )

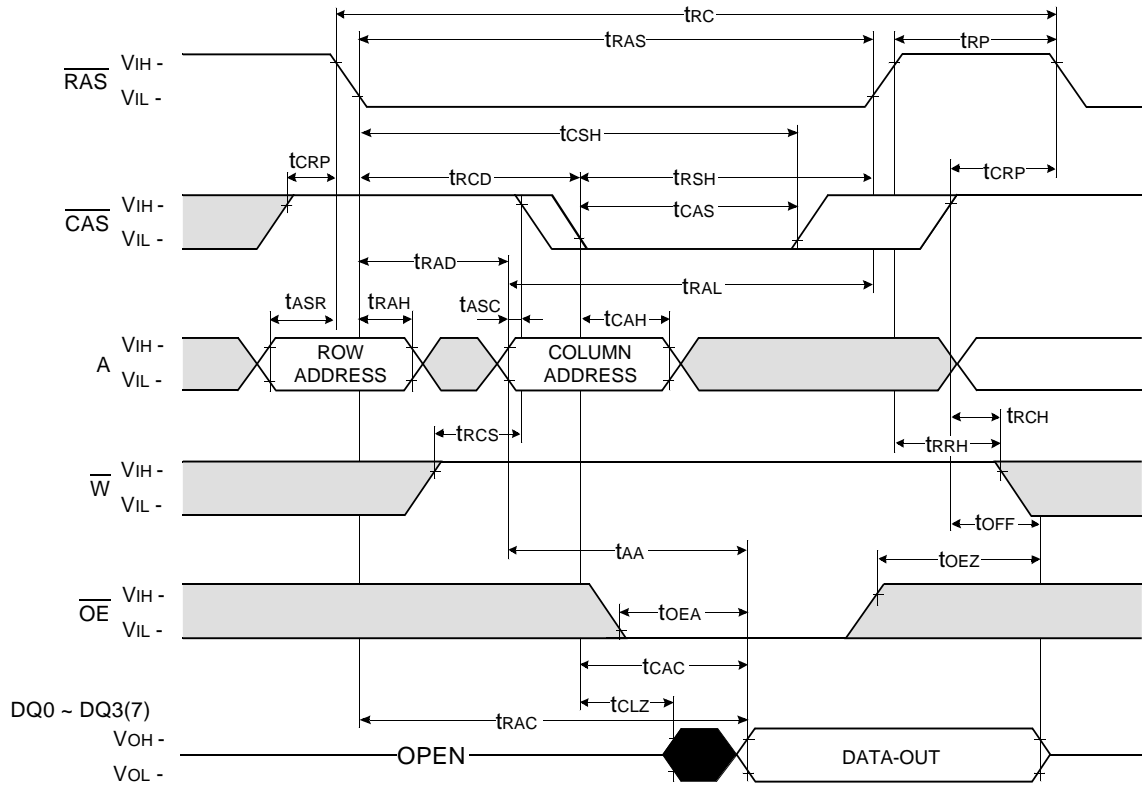
Parameter	Symbol	-50		-60		Units	Note
		Min	Max	Min	Max		
Random read or write cycle time	t <sub>RC</sub>	95		115		ns	
Read-modify-write cycle time	t <sub>RWC</sub>	138		160		ns	
Access time from $\overline{\text{RAS}}$	t <sub>RAC</sub>		55		65	ns	3,4,10,12
Access time from $\overline{\text{CAS}}$	t <sub>CAC</sub>		18		20	ns	3,4,5,12
Access time from column address	t <sub>AA</sub>		30		35	ns	3,10,12
$\overline{\text{RAS}}$ pulse width	t <sub>RAS</sub>	55	10K	65	10K	ns	
$\overline{\text{CAS}}$ pulse width	t <sub>CAS</sub>	18	10K	20	10K	ns	
$\overline{\text{RAS}}$ hold time	t <sub>RSH</sub>	18		20		ns	
$\overline{\text{CAS}}$ hold time	t <sub>CSH</sub>	55		65		ns	
Column Address to $\overline{\text{RAS}}$ lead time	t <sub>RAL</sub>	30		35		ns	
$\overline{\text{CAS}}$ to $\overline{\text{W}}$ delay time	t <sub>CWD</sub>	41		43		ns	7
$\overline{\text{RAS}}$ to $\overline{\text{W}}$ delay time	t <sub>RWD</sub>	78		88		ns	7
Column Address to $\overline{\text{W}}$ delay time	t <sub>AWD</sub>	53		58		ns	7
Fast Page mode cycle time	t <sub>PC</sub>	40		45		ns	
Fast Page mode read-modify-write cycle time	t <sub>PRWC</sub>	81		90		ns	
$\overline{\text{RAS}}$ pulse width (Fast Page cycle)	t <sub>RASP</sub>	55	200K	65	200K	ns	
Access time from $\overline{\text{CAS}}$ precharge	t <sub>CPA</sub>		35		40	ns	3
$\overline{\text{OE}}$ access time	t <sub>OE A</sub>		18		20	ns	
$\overline{\text{OE}}$ to data delay	t <sub>OE D</sub>	18		18		ns	
$\overline{\text{OE}}$ command hold time	t <sub>OE H</sub>	18		20		ns	

## NOTES

1. An initial pause of 200us is required after power-up followed by any 8  $\overline{\text{RAS}}$ -only refresh or  $\overline{\text{CAS}}$ -before- $\overline{\text{RAS}}$  refresh cycles before proper device operation is achieved.
2.  $V_{IH}(\text{min})$  and  $V_{IL}(\text{max})$  are reference levels for measuring timing of input signals. Transition times are measured between  $V_{IH}(\text{min})$  and  $V_{IL}(\text{max})$  and are assumed to be 5ns for all inputs.
3. Measured with a load equivalent to 2 TTL load and 100pF.
4. Operation within the  $t_{\text{RCD}}(\text{max})$  limit insures that  $t_{\text{RAC}}(\text{max})$  can be met.  $t_{\text{RCD}}(\text{max})$  is specified as a reference point only. If  $t_{\text{RCD}}$  is greater than the specified  $t_{\text{RCD}}(\text{max})$  limit, then access time is controlled exclusively by  $t_{\text{CAC}}$ .
5. Assumes that  $t_{\text{RCD}} \geq t_{\text{RCD}}(\text{max})$ .
6.  $t_{\text{OFF}}(\text{min})$  and  $t_{\text{OEZ}}(\text{max})$  define the time at which the output achieves the open circuit condition and are not referenced  $V_{oh}$  or  $V_{ol}$ .
7.  $t_{\text{WCS}}$ ,  $t_{\text{RWD}}$ ,  $t_{\text{CWD}}$  and  $t_{\text{AWD}}$  are non restrictive operating parameters. They are included in the data sheet as electrical characteristics only. If  $t_{\text{WCS}} \geq t_{\text{WCS}}(\text{min})$ , the cycle is an early write cycle and the data output will remain high impedance for the duration of the cycle. If  $t_{\text{CWD}} \geq t_{\text{CWD}}(\text{min})$ ,  $t_{\text{RWD}} \geq t_{\text{RWD}}(\text{min})$  and  $t_{\text{AWD}} \geq t_{\text{AWD}}(\text{min})$ , then the cycle is a read-modify-write cycle and the data output will contain the data read from the selected address. If neither of the above conditions is satisfied, the condition of the data out is indeterminate.
8. Either  $t_{\text{RCH}}$  or  $t_{\text{RRH}}$  must be satisfied for a read cycle.
9. These parameters are referenced to  $\overline{\text{CAS}}$  falling edge in early write cycles and to  $\overline{\text{W}}$  falling edge in read-modify-write cycles.
10. Operation within the  $t_{\text{RAD}}(\text{max})$  limit insures that  $t_{\text{RAC}}(\text{max})$  can be met.  $t_{\text{RAD}}(\text{max})$  is specified as a reference point only. If  $t_{\text{RAD}}$  is greater than the specified  $t_{\text{RAD}}(\text{max})$  limit, then access time is controlled by  $t_{\text{AA}}$ .
11. These specifications are applied in the test mode.
12. In test mode read cycle, the value of  $t_{\text{RAC}}$ ,  $t_{\text{AA}}$ ,  $t_{\text{CAC}}$  is delayed by 2ns to 5ns for the specified values. These parameters should be specified in test mode cycles by adding the above value to the specified value in this data sheet.
13. If  $t_{\text{RAS}} \geq 100\text{us}$ , then  $\overline{\text{RAS}}$  precharge time must use  $t_{\text{RPS}}$  instead of  $t_{\text{RP}}$ .
14. For  $\overline{\text{RAS}}$ -only refresh and burst  $\overline{\text{CAS}}$ -before- $\overline{\text{RAS}}$  refresh mode, 4096(4K/8K) cycles of burst refresh must be executed within 64ms before and after self refresh, in order to meet refresh specification.
15. For distributed  $\overline{\text{CAS}}$ -before- $\overline{\text{RAS}}$  with 15.6us interval  $\overline{\text{CAS}}$ -before- $\overline{\text{RAS}}$  refresh should be executed with in 15.6us immediately before and after self refresh in order to meet refresh specification.

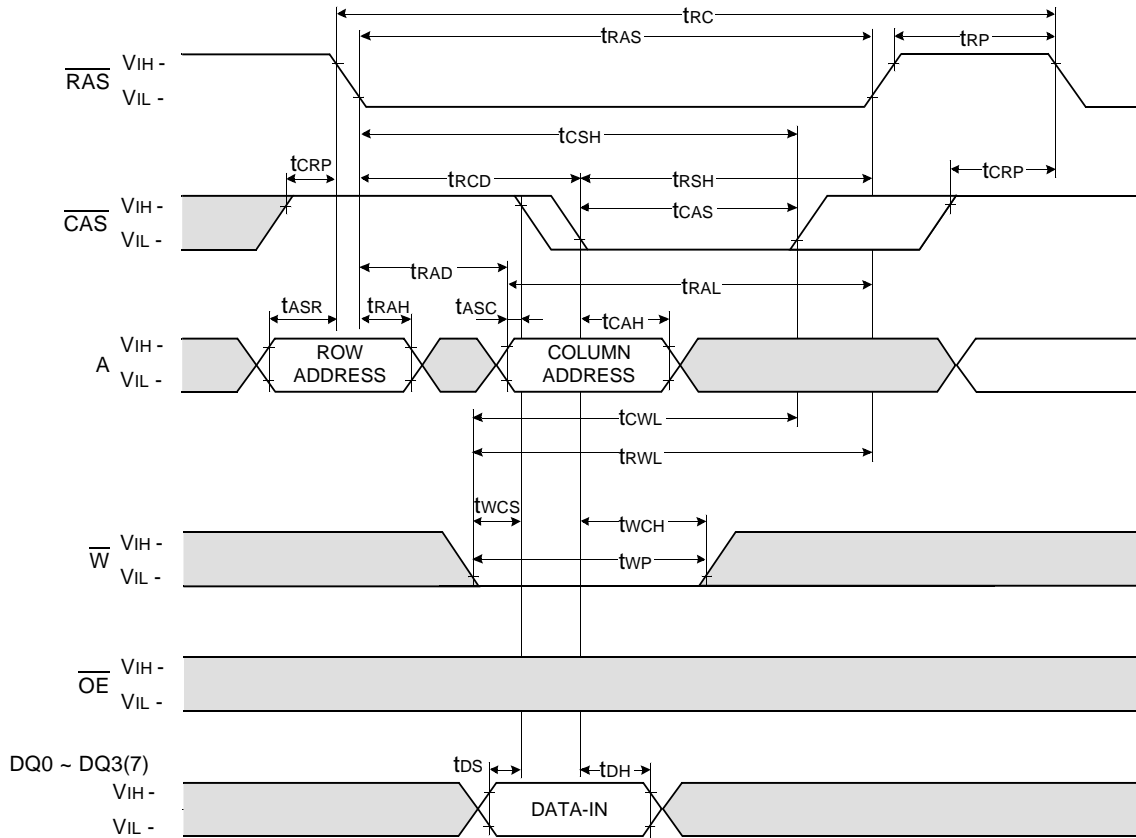


READ CYCLE



WRITE CYCLE ( EARLY WRITE )

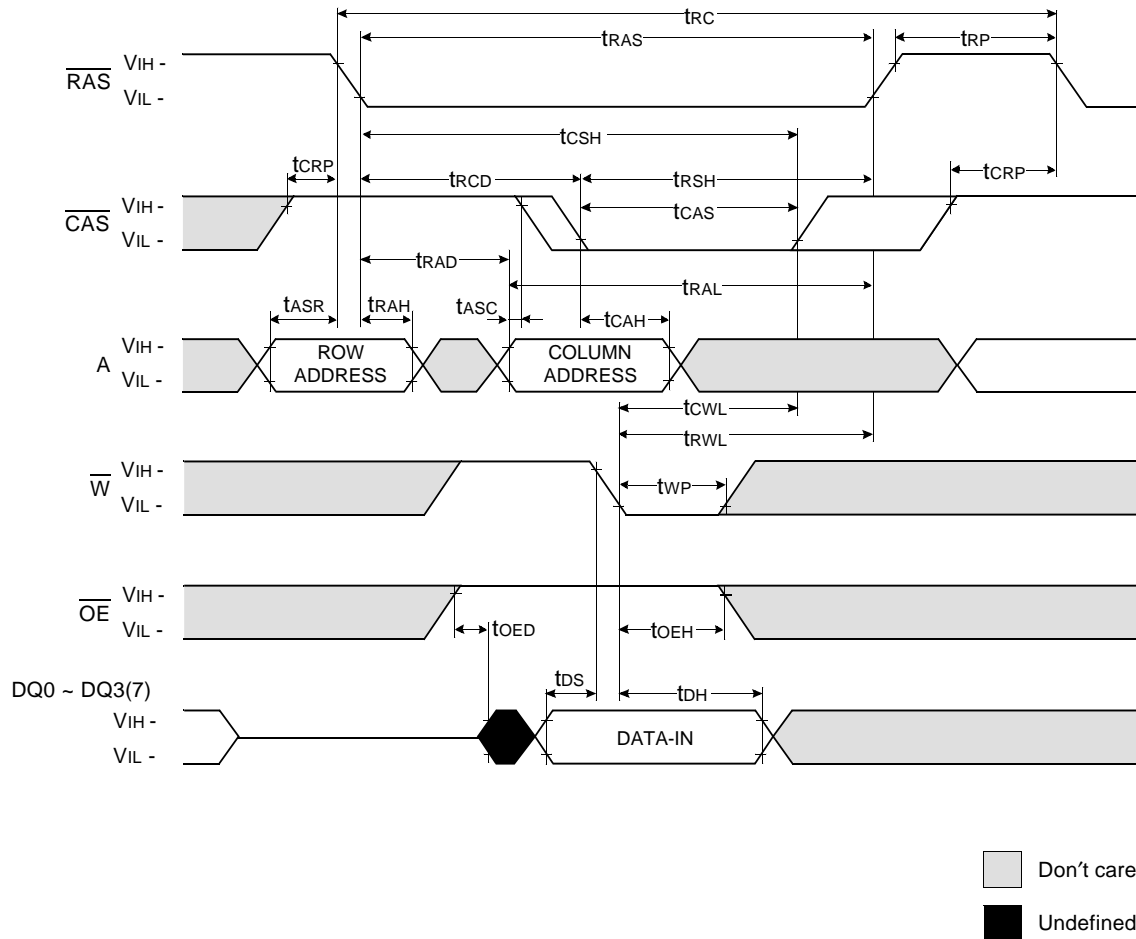
NOTE : DOUT = OPEN



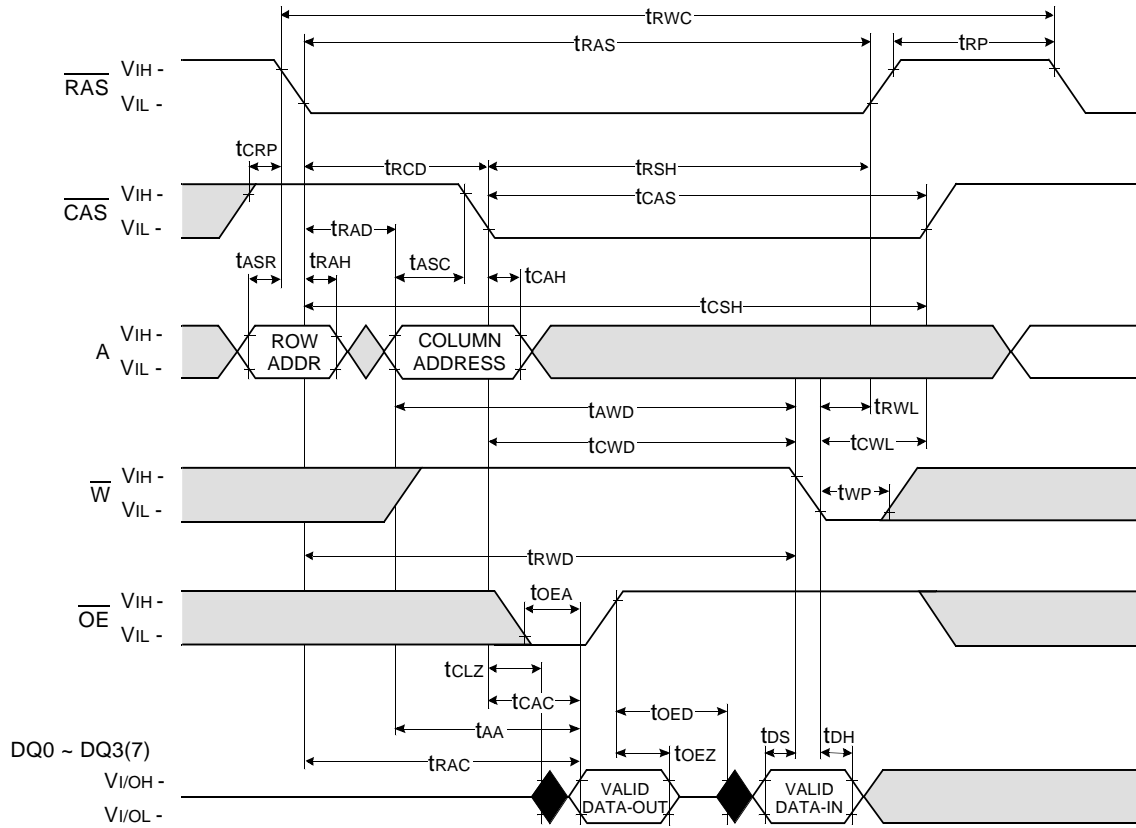
Don't care  
 Undefined

WRITE CYCLE (  $\overline{OE}$  CONTROLLED WRITE )

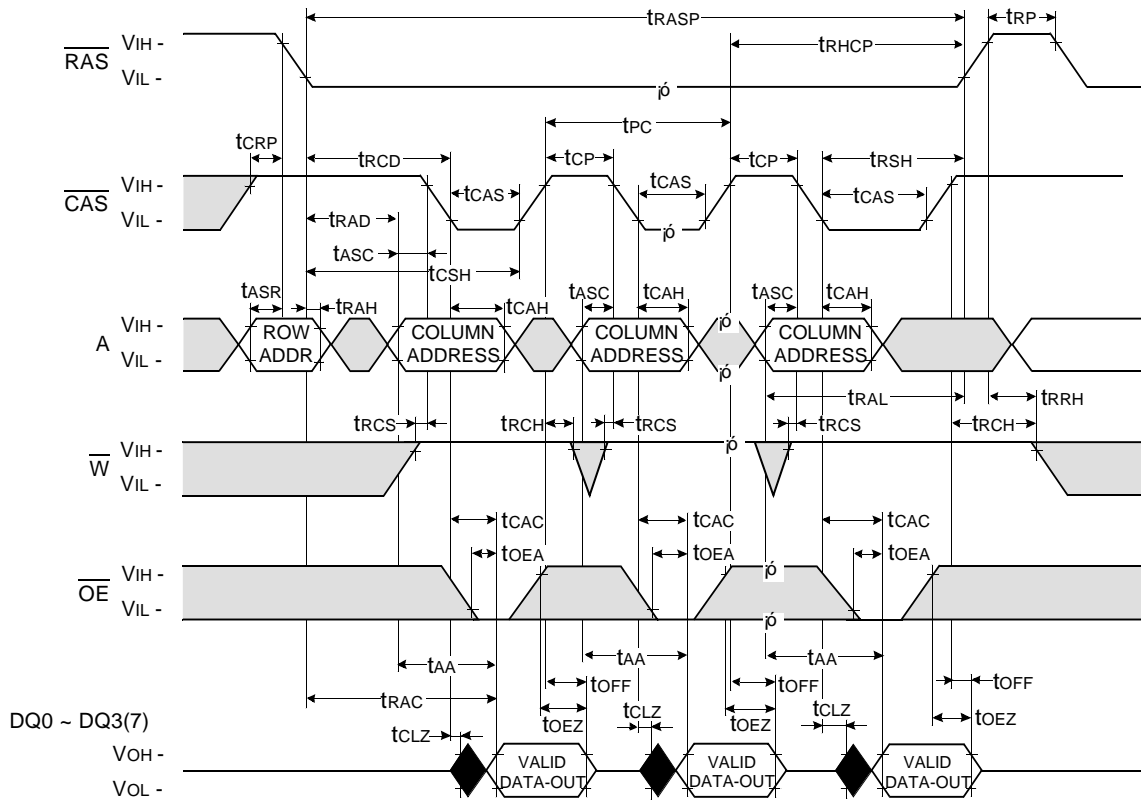
NOTE : DOUT = OPEN



READ - MODIFY - WRITE CYCLE



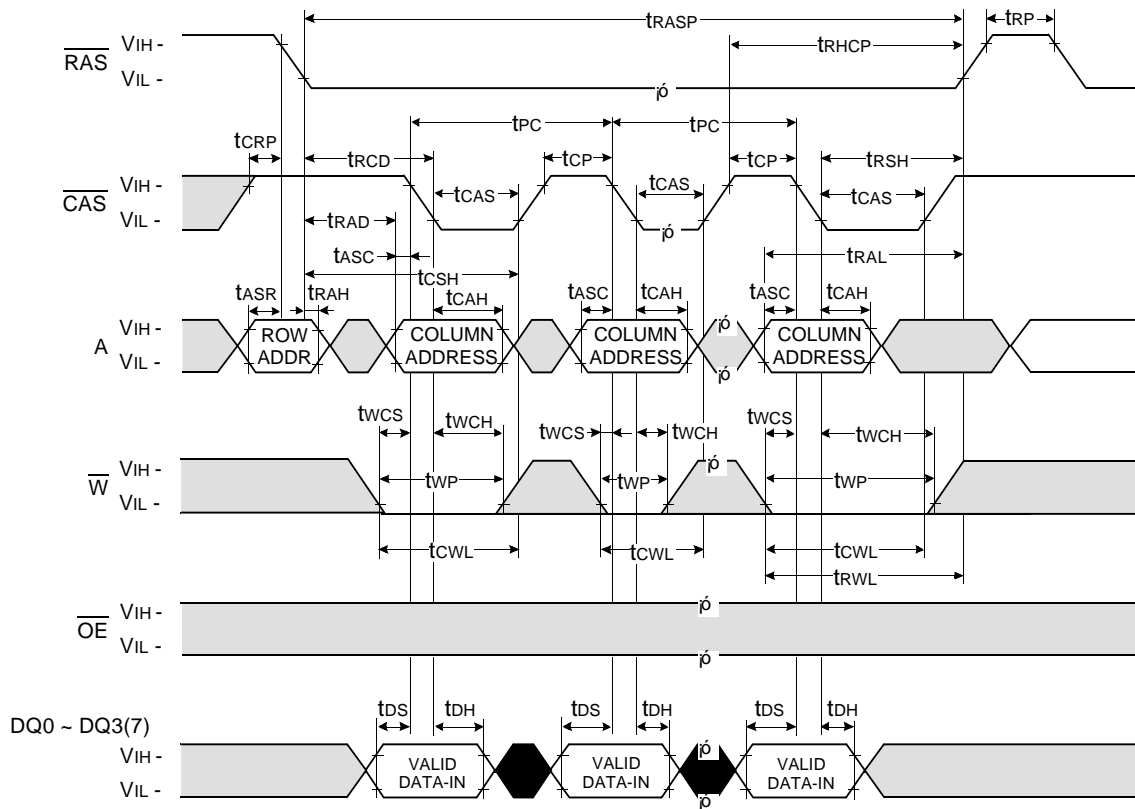
FAST PAGE READ CYCLE



Don't care  
 Undefined

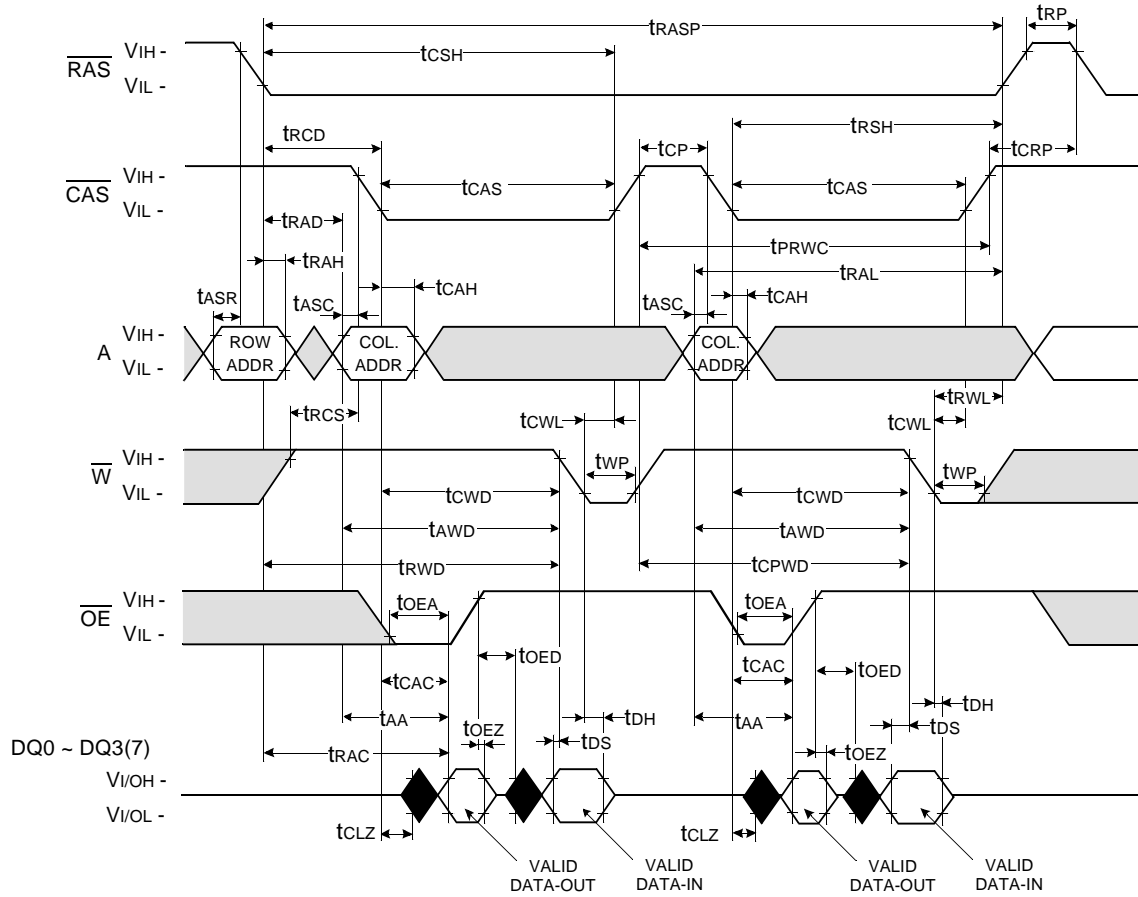
**FAST PAGE WRITE CYCLE ( EARLY WRITE )**

NOTE : DOUT = OPEN



Don't care  
 Undefined

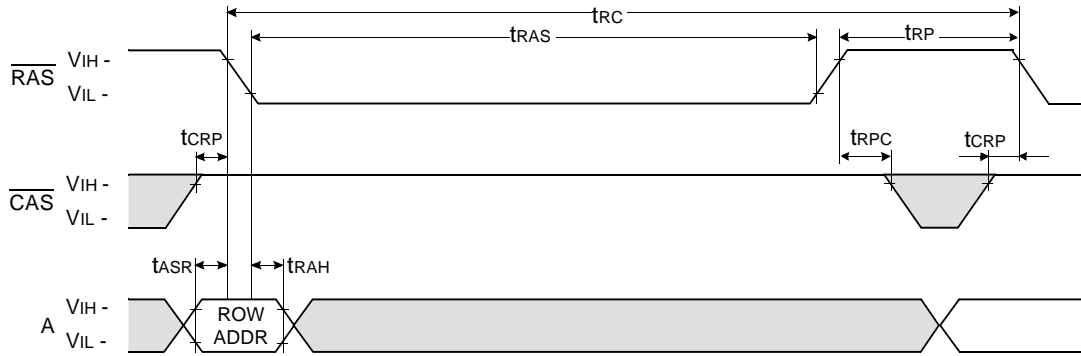
FAST PAGE READ - MODIFY - WRITE CYCLE



**RAS - ONLY REFRESH CYCLE**

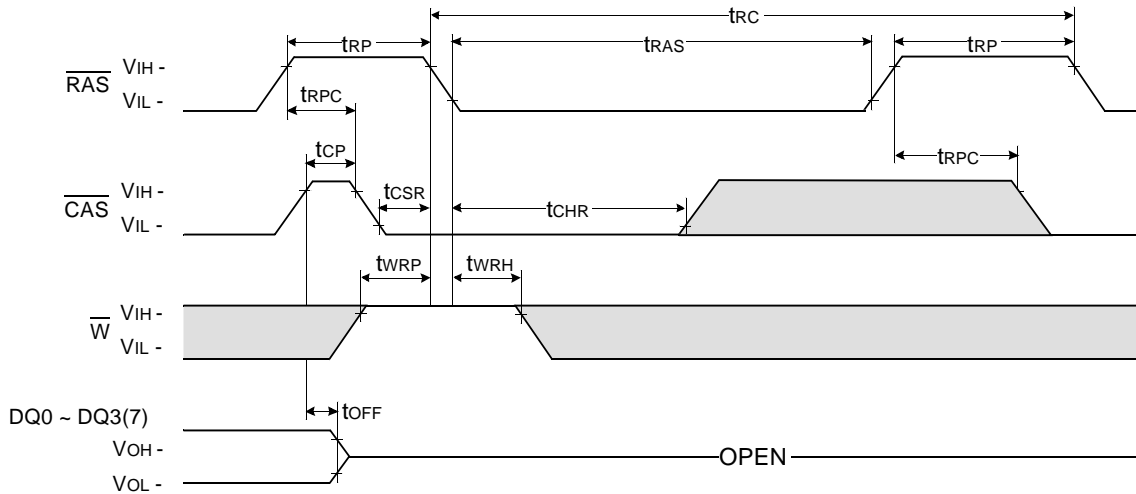
NOTE :  $\overline{W}$ ,  $\overline{OE}$ ,  $DIN$  = Don't care

$DOUT$  = OPEN



**CAS - BEFORE - RAS REFRESH CYCLE**

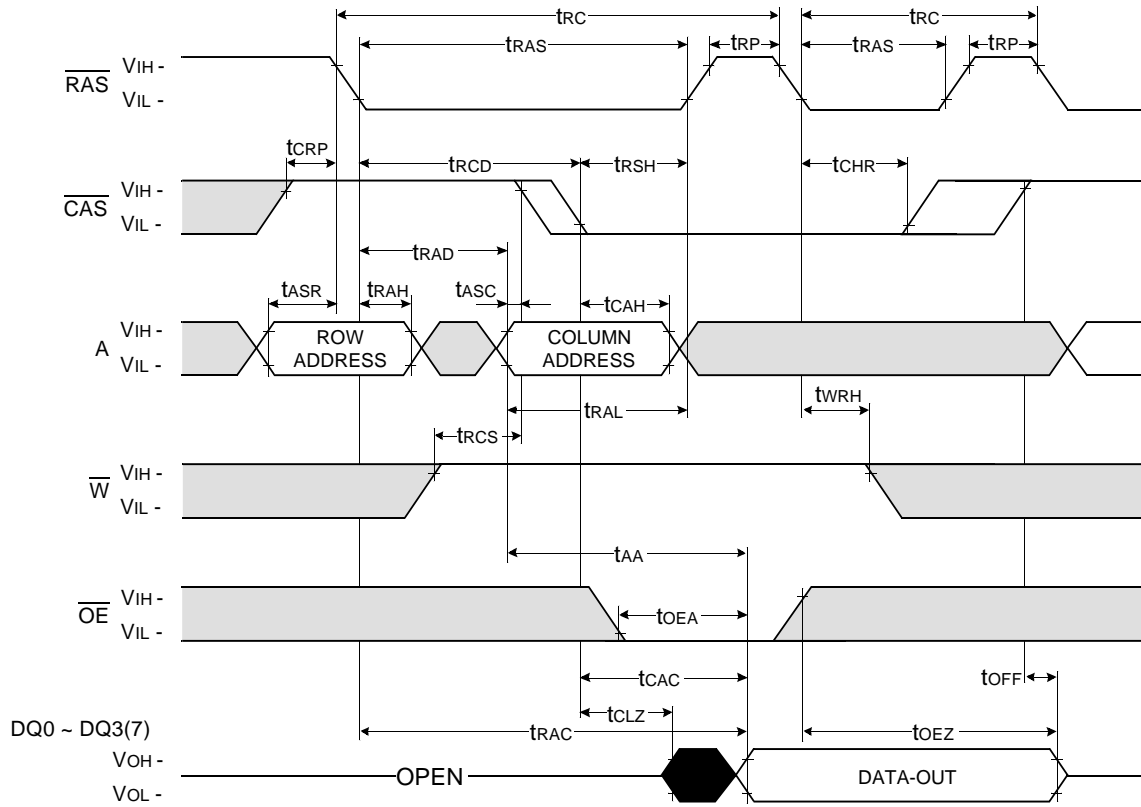
NOTE :  $\overline{OE}$ ,  $A$  = Don't care



Don't care  
 Undefined



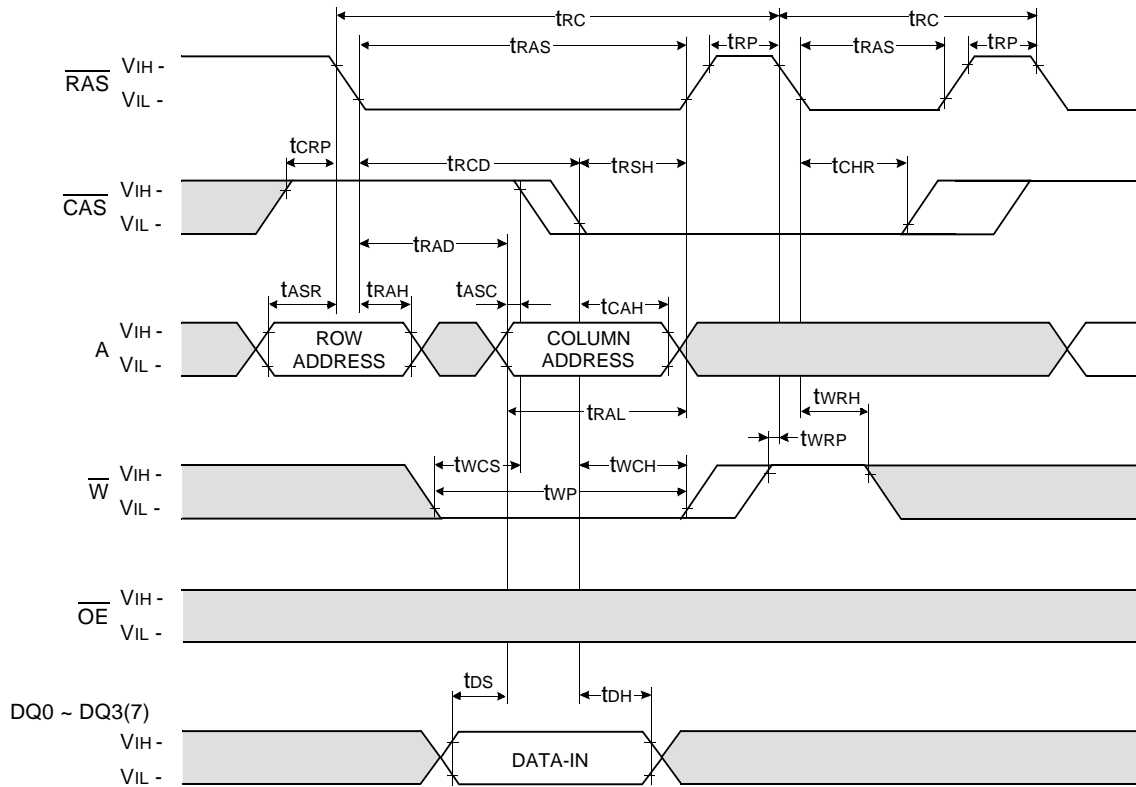
HIDDEN REFRESH CYCLE ( READ )



Don't care  
 Undefined

**HIDDEN REFRESH CYCLE ( WRITE )**

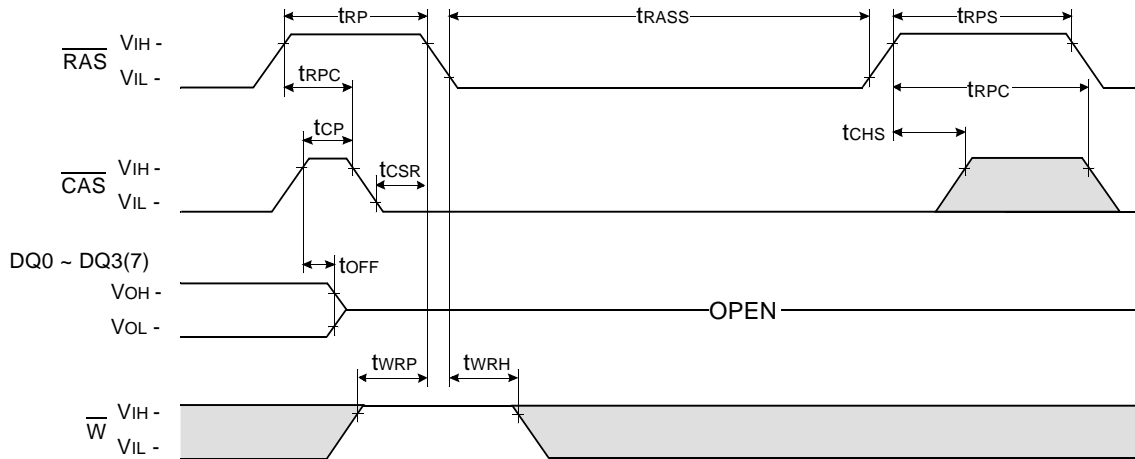
NOTE : DOUT = OPEN



Don't care  
 Undefined

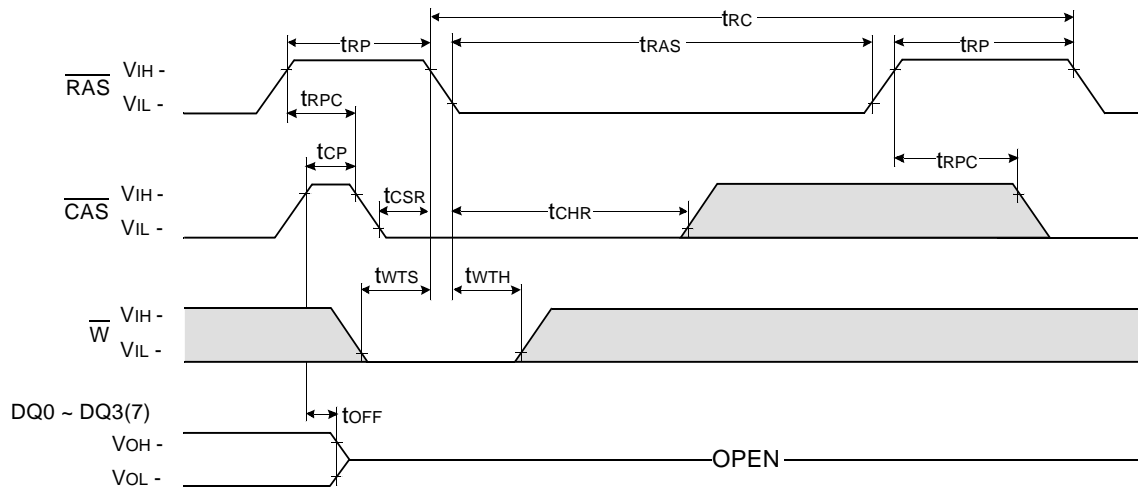
**CAS - BEFORE - RAS SELF REFRESH CYCLE**

NOTE :  $\overline{OE}$ , A = Don't care



**TEST MODE IN CYCLE**

NOTE :  $\overline{OE}$ , A = Don't care



Don't care  
 Undefined

PACKAGE DIMENSION

